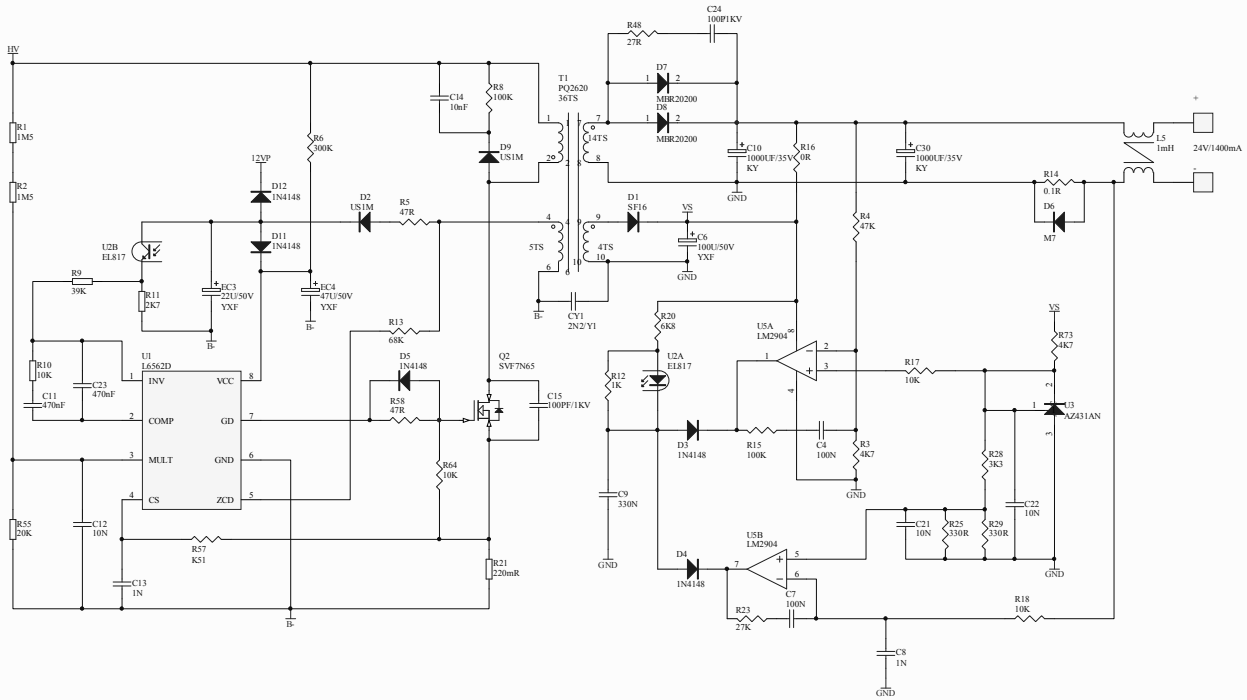


MODEL: EBL36-24-C1A40
 输入电压: 90~264Vac PF: >0.90
 输出电压: 24Vdc EFF: >0.85
 电压范围: 18~26Vdc 恒流: 1400mA
 客户:



Title		EBL36-24-C1A40	
Size	Number	Revision	
A2		A	
Date	2014-05-19	Sheet of	
File	C:\Users\FEB36-24-C1A40\Sch	Drawn By	