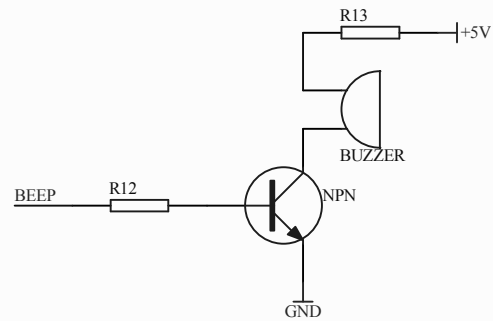
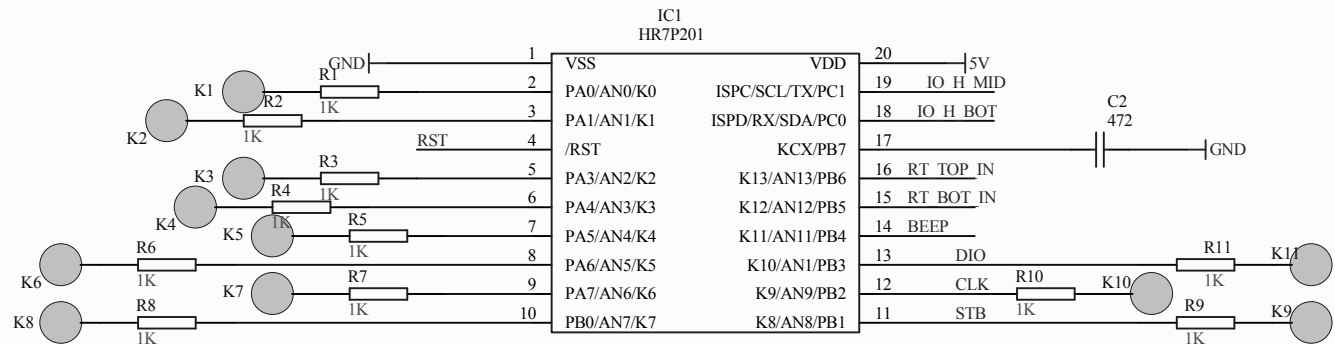
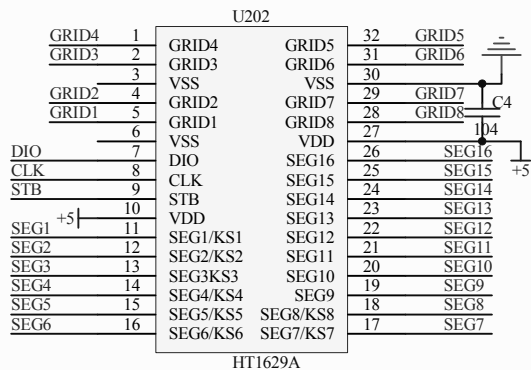


PCB在电解处连接一点



海尔MCU技术支持QQ群：122090542



Title		
Size	Number	Revision
A4		
Date:	2014-5-7	Sheet of
File:	C:\Documents and Settings\...\电饭煲.SchDoc\Drawn By:	