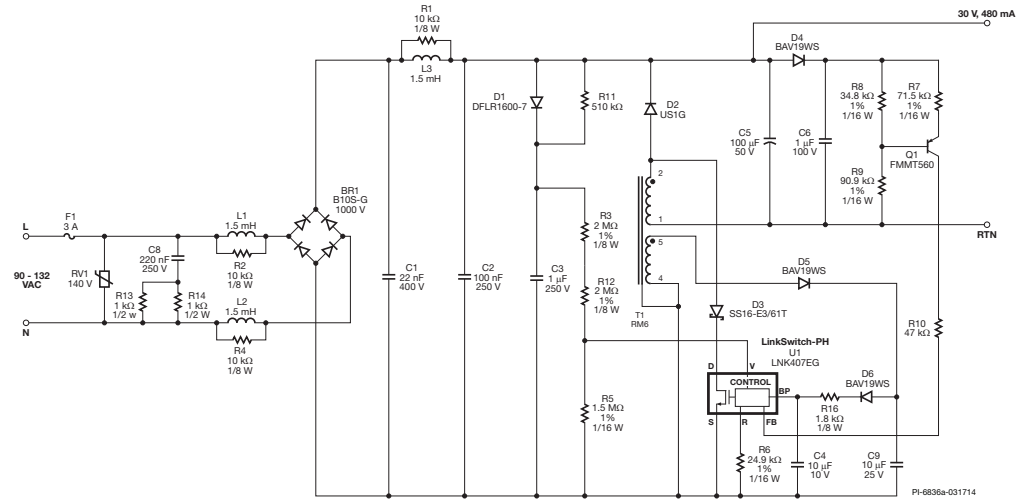


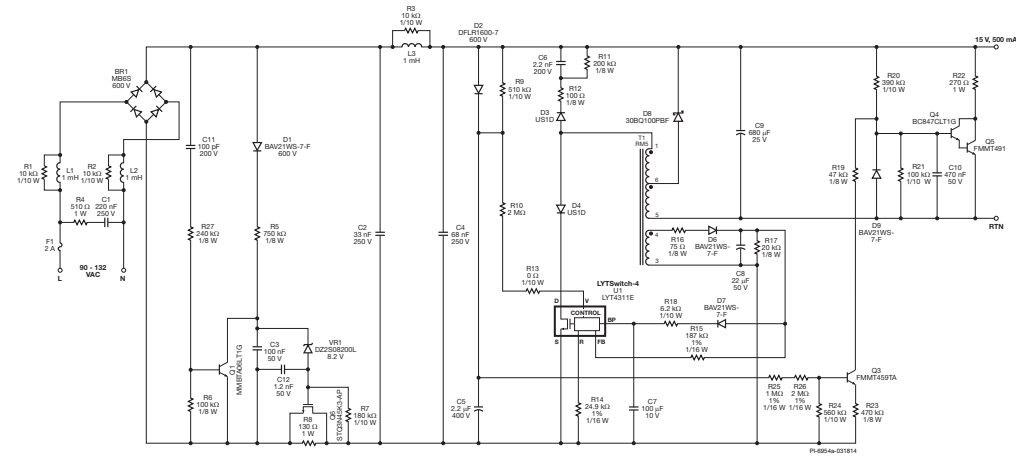
LinkSwitch-PH – 非隔离、可控硅调光、带功率因数校正的LED驱动器(DER-341)

14.5 W, 30 V, 480 mA或40 V, 350 mA输出, 90 – 132 VAC输入, 单级PFC, 降压式转换器, A19电源



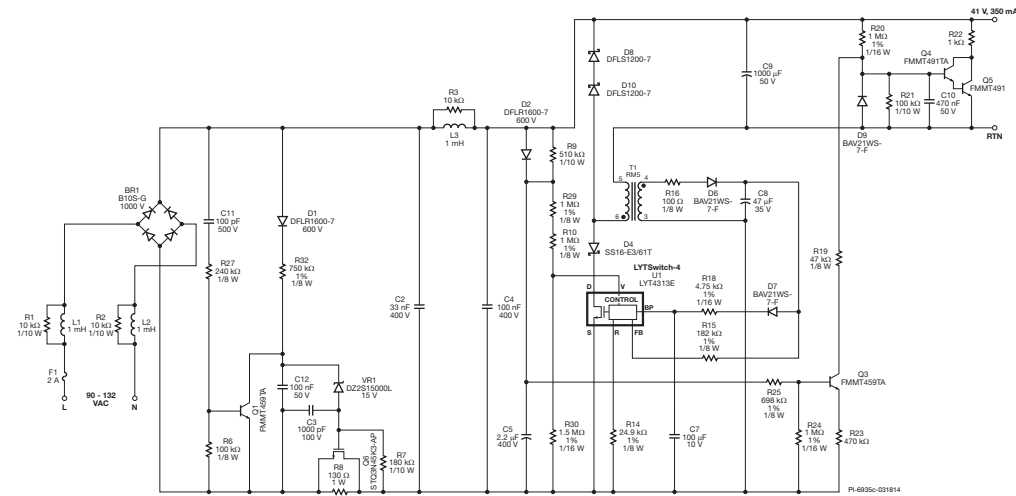
LYTSwitch-4 – 高效率、高功率因数、可控硅调光的LED驱动器(DER-360)

7.5 W, 15 V, 500 mA输出, 90 – 132 VAC输入, 单级PFC, 抽头降压式转换器, PAR20电源



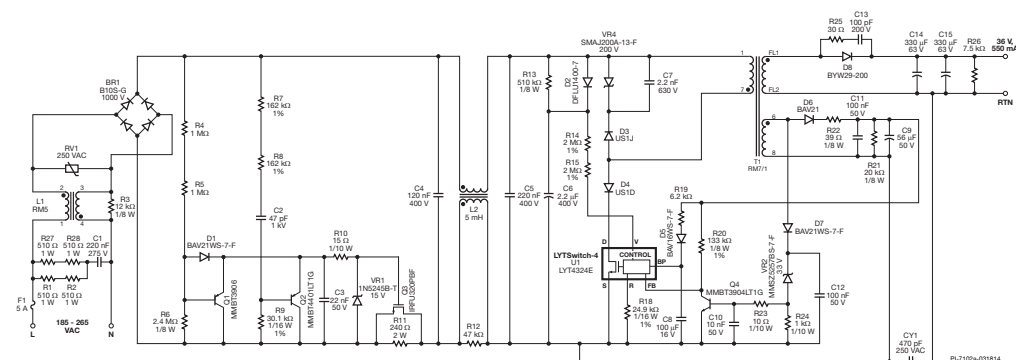
LYTSwitch-4 – 高效率、高功率因数、可控硅调光的LED驱动器(DER-364)

14 W, 41 V, 350 mA输出, 90 – 132 VAC输入, 单级PFC, 降压式转换器, PAR30电源



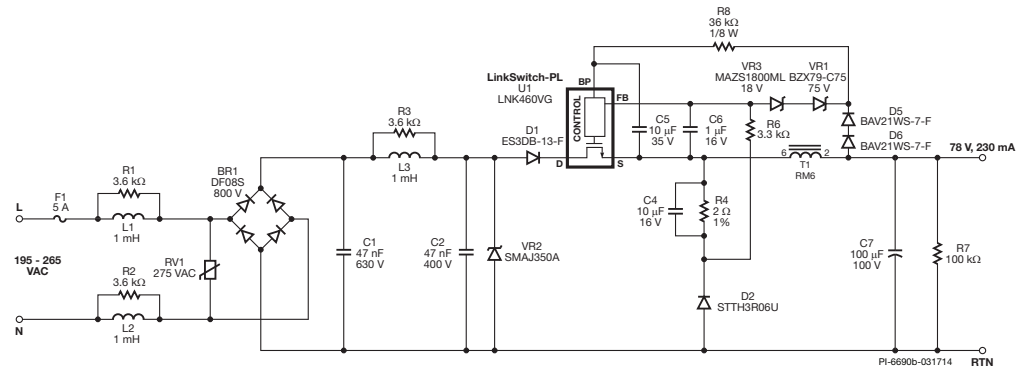
LYTSwitch-4 – 高效率、高功率因数、可控硅调光的LED驱动器(DER-396)

20 W, 36 V, 550 mA输出, 185 – 265 VAC输入, 单级PFC, 隔离反激式, PAR38电源



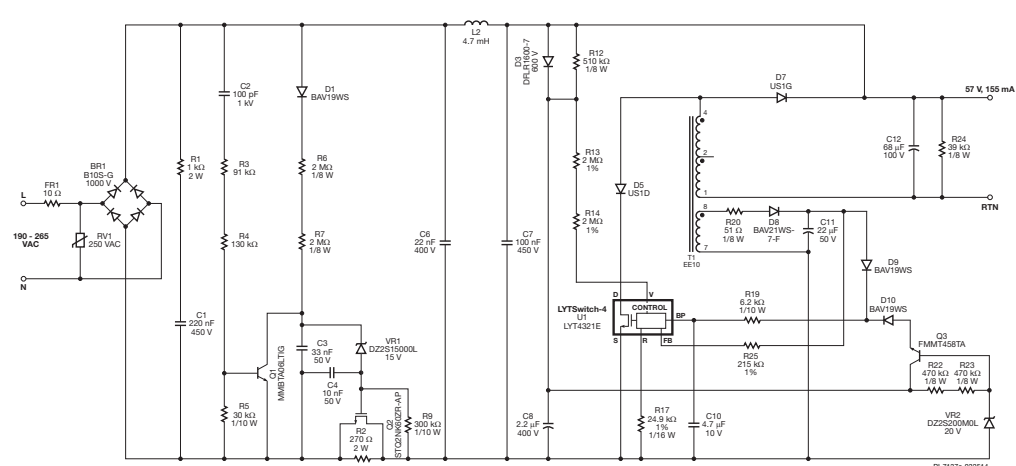
LinkSwitch-PL – 高效率、高功率因数、LED驱动器(DER-322)

18 W, 78 V, 230 mA输出, 195 – 265 VAC输入, 单级PFC, 降压式转换器, A19电源



LYTSwitch-4 – 高效率、高功率因数、可控硅调光的LED驱动器(DER-370)

8.8 W, 57 V, 155 mA输出, 190 – 265 VAC输入, 单级PFC, 非隔离降压式, PAR16电源



World Headquarters 5245 Hellyer Avenue, San Jose, CA 95138, USA, Main: +1-408-414-9200
Customer Service Phone: +1-408-414-9665, Fax: +1-408-414-9765, Email: info@powerint.com

On the Web www.powerint.com

©2014 Power Integrations. Power Integrations, TOPSwitch, TinySwitch, LinkSwitch, LYTSwitch, DPA-Switch, PeakSwitch, CAPZero, SENZero, LinkZero, HiperPFS, HiperTFS, HiperLCS, Qspeed, EcoSmart, Clampless, E-Shield, Filterfuse, StakFET, PI Expert and PI FACTS and the Power Integrations logo are trademarks or registered trademarks of Power Integrations, Inc. All rights reserved.



Innovation in power conversion

产品选择指南
LED灯泡设计

2014年3月

