

6

5

4

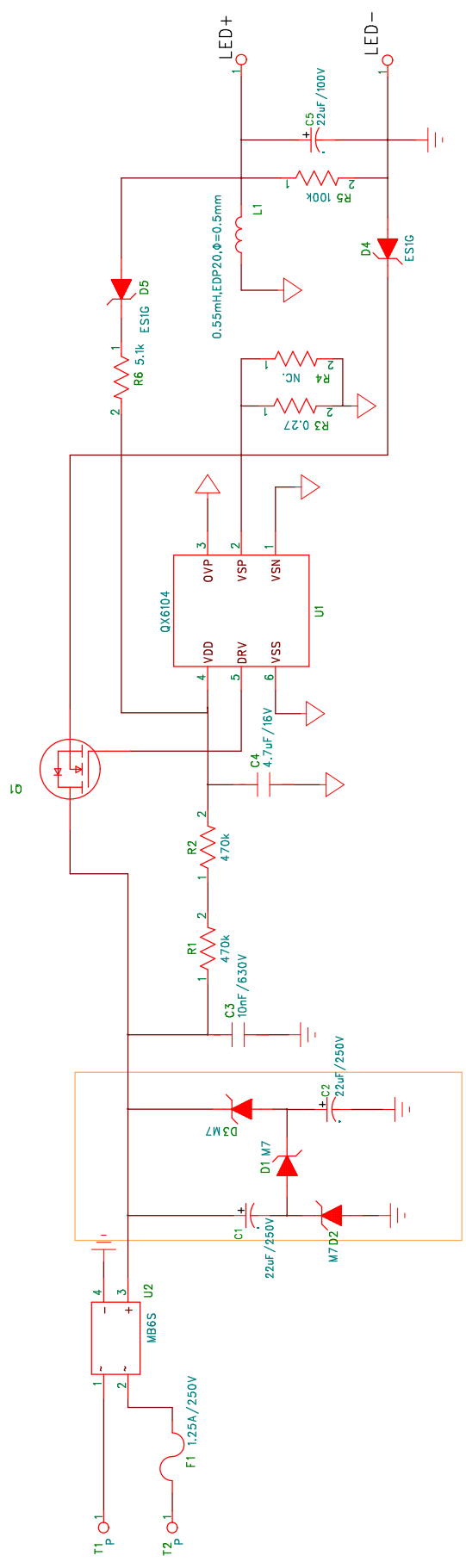
3

2

1

REVISION RECORD			
LTR	ECO NO:	APPROVED:	DATE:
1	VER 1.0	MR.Guo	7-18
2	VER 1.1		7-22
3	VER 2.1		8-2

QX6104+8N60 LED DRIVER 220V INPUT; 31~40V=700mA With PFC



D

C

B

CUSTOMER NOTICE
 QXMD SEMICONDUCTOR HAS MADE A BEST EFFORT TO DESIGN A CIRCUIT THAT MEETS CUSTOMER-SUPPLIED SPECIFICATIONS; HOWEVER, IT REMAINS THE CUSTOMER'S RESPONSIBILITY TO VERIFY PROPER AND RELIABLE OPERATION IN THE ACTUAL APPLICATION. COMPONENT SUBSTITUTION AND PRINTED CIRCUIT BOARD LAYOUT MAY SIGNIFICANTLY AFFECT CIRCUIT PERFORMANCE OR RELIABILITY. CONTACT QXMD SEMICONDUCTOR APPLICATIONS ENGINEERING FOR ASSISTANCE.
 website: www.qxmd.com.cn

COMPANY: QXMD.COM.CN

TITLE: QX6104 LED DRIVER

DRAWN: qx054	DATED: 2013-8-2	CODE: <Code>	SIZE: B	REV: 1.1
CHECKED: qx054	DATED: 2013-8-2	CODE: <Code>	SIZE: B	REV: 1.1
QUALITY CONTROL: <QC By>	DATED: <QC Date>	CODE: <Code>	SIZE: B	REV: 1.1
RELEASED: <Released By>	DATED: <Release Date>	CODE: <Code>	SIZE: B	REV: 1.1

A

SHEET: 1 of 1